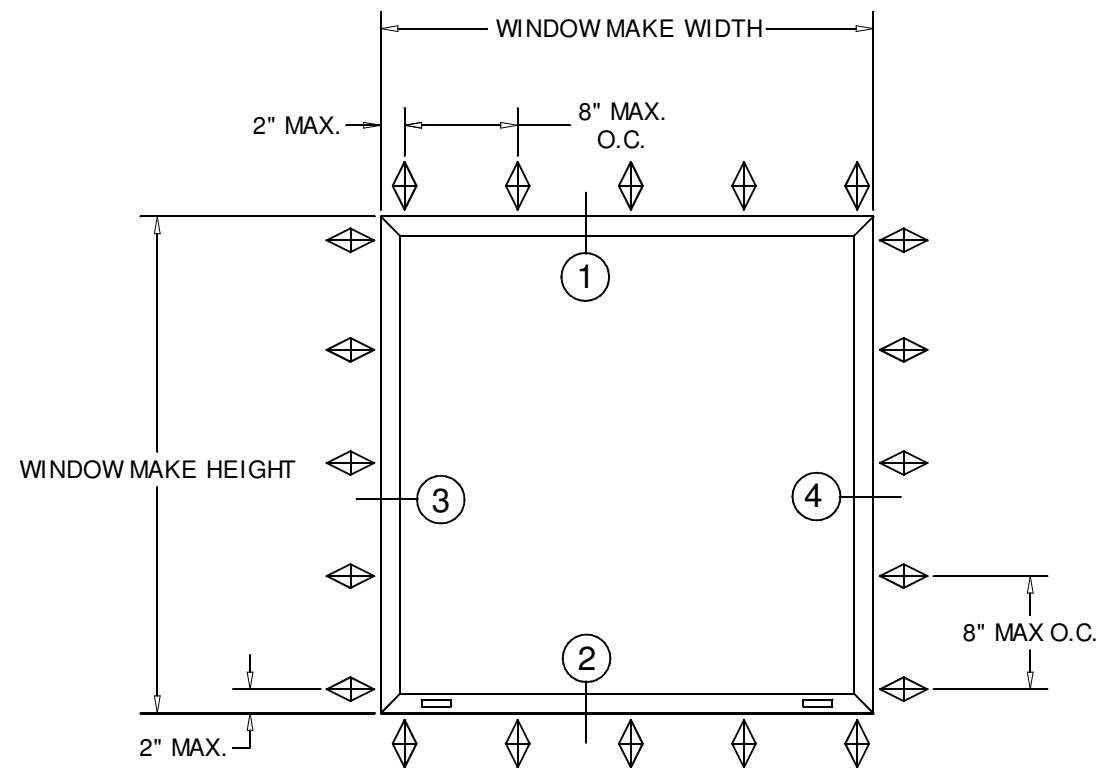


NOTE: TYPICAL V300 FIXED VINYL WINDOW NARROW FRAME - NAIL FIN INSTALLATION



Maximum				
FW	FH	DLO-W	DLO-H	Pressure
78"	78"	74"	74"	± 50 PSF

1" Insulating Glass
Two lights 1/4" Annealed Glass
with 1/2" Spacer

Notes:

1. Installations depicted satisfy the requirements of the 8th Edition (2023) of the Florida Building Code for Wind Pressures and Overall Sizes shown.
2. As Tested Anchor spacings are shown on the Elevations.
3. Wood Framing are assumed to S-P-F (G=0.42) or denser.
4. Maximum Frame Shim Space is 1/4" as shown. Shims shall be non-compressible load bearing type.
5. Exterior and Interior shall be sealed according to Shop Drawings.
6. Products shown are Non-Impact Resistant and require Approved Protection Devices if used in Windborne Debris regions.
7. Not for use in High Velocity Hurricane Zone (HVHZ).

Project Name:
**V300 Fixed
NAIL FIN
Installation Instructions**

GENERAL NOTES

QUAKER WINDOW PRODUCTS
WILL NOT BE RESPONSIBLE
FOR FIELD MEASUREMENT,
QUANTITIES, & INSTALLATION
DESIGN. CONTRACTOR MUST
VERIFY ALL DIMENSIONS.

PHONE (573)-744-5211
FAX (573)-744-5586
COMMERCIAL
www.quakerwindows.com

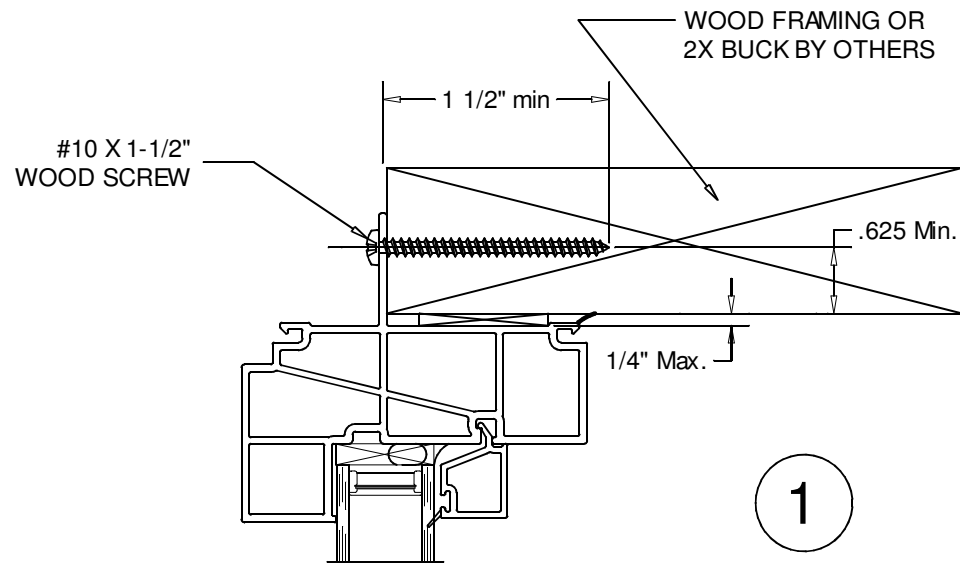
504 Highway 63 South
Freeburg, MO 65035
drrating@quakerwindows.com

Drawn By: Bud
Date: 07-10-2023

Scale: NONE
Sheet #: 1 of 2

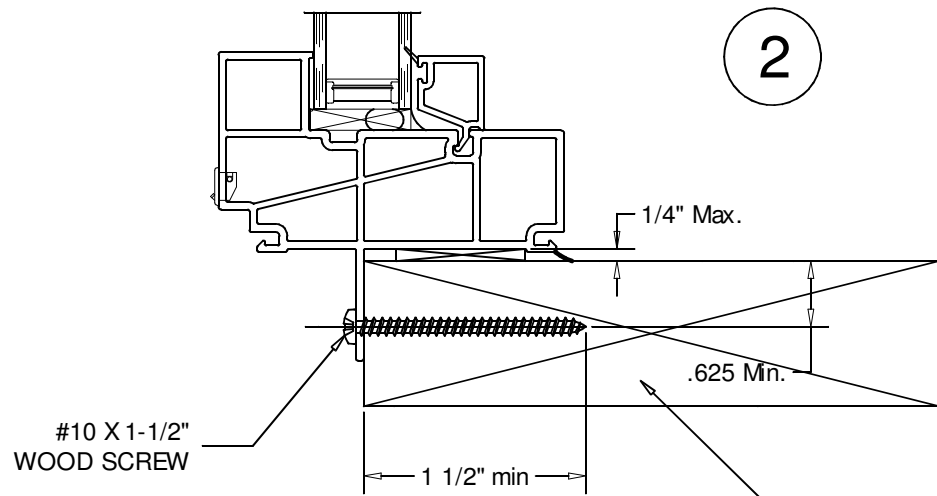


NOTE: TYPICAL V300 FIXED VINYL WINDOW NARROW FRAME - NAIL FIN INSTALLATION



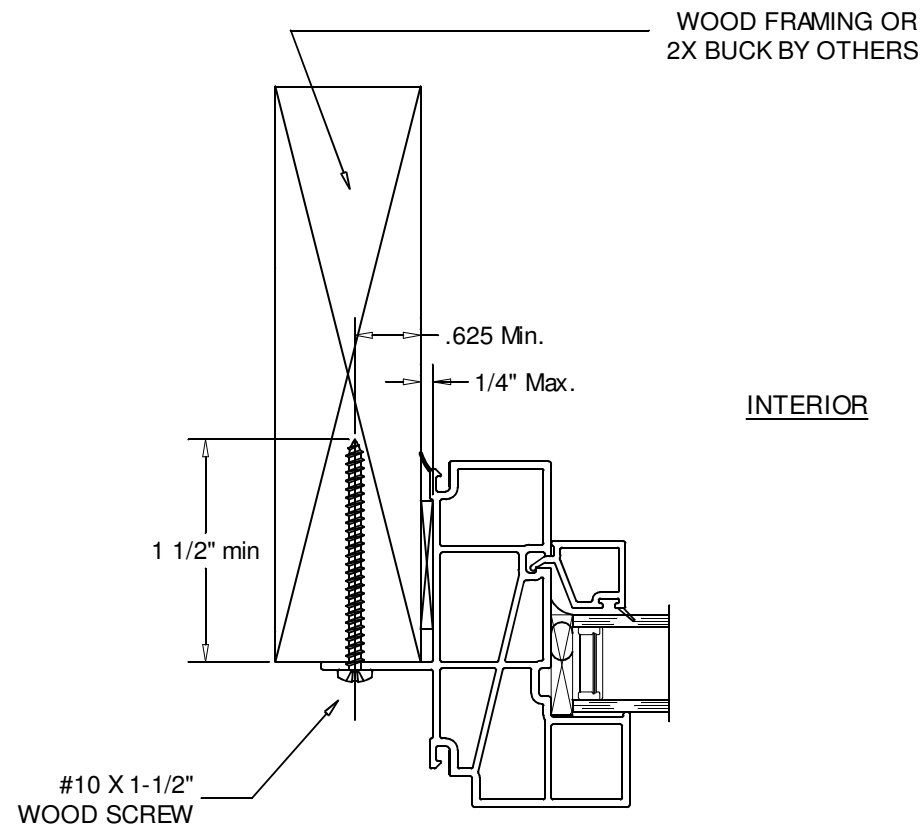
EXTERIOR

INTERIOR



VERTICAL SECTION DETAIL
WOOD FRAMING INSTALLATION

3



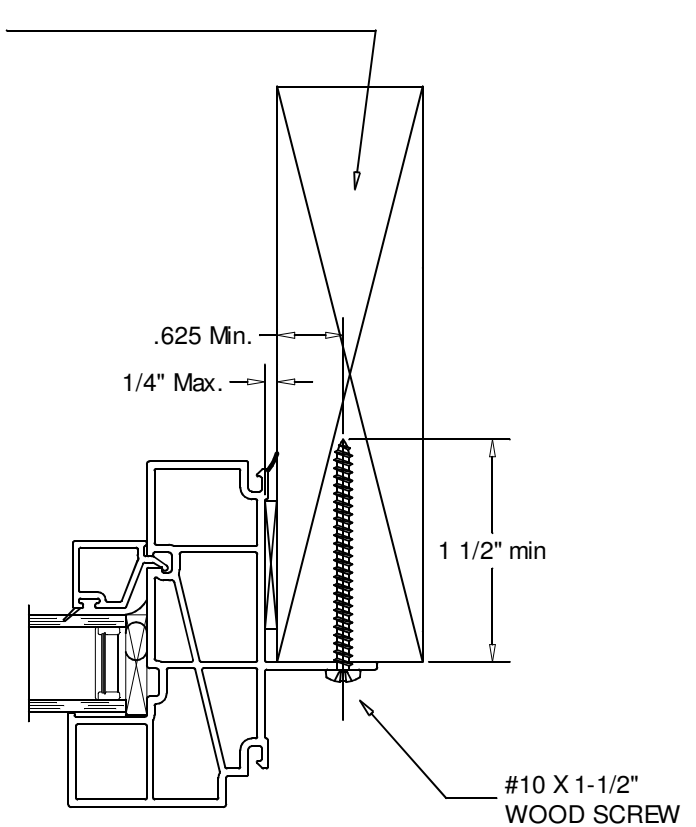
INTERIOR

EXTERIOR

HORIZONTAL SECTION DETAIL

WOOD FRAMING INSTALLATION

4



Project Name:

V300 Fixed
NAIL FIN

Installation Instructions

GENERAL NOTES

QUAKER WINDOW PRODUCTS
WILL NOT BE RESPONSIBLE
FOR FIELD MEASUREMENT,
QUANTITIES, & INSTALLATION
DESIGN. CONTRACTOR MUST
VERIFY ALL DIMENSIONS.

PHONE (573)-744-5211
FAX (573)-744-5586
COMMERCIAL
FAX (573)-744-5822
www.quakerwindows.com

QUAKER
COMMERCIAL WINDOW AIR SYSTEM

Scale: NONE
504 Highway 63 South
Freeburg, MO 65035
draifing@quakerwindows.com

Drawn By: Bud
Date: 07-10-2023

Sheet # 2 of 2